

FLY SCREEN SYSTEMS  
**sinax**®  
Europe



OTHER  
MESHES



**HIGH QUALITY  
Fly Screen Systems  
2020**



OTHER  
PROFILES



**S** SYSTEM SOLUTIONS

## TUBA DELUXE SLIDING (NARROW RAIL)

Max. Size Width: 1.800mm Length: 2.500mm



### TUBA DELUXE SLIDING

Tuba Deluxe Sliding Insect Screen System consists of aluminum profiles. With the special bearing system, this insect screen can be opened and closed by one finger. With development of 3 different rail systems, it is possible to assemble this system to all doors and windows.

A special breaking and locking system is developed in Tuba Deluxe System to prevent the screening sash from hitting the rail profile hard while closing and preventing the sash from coming off the rails in windy weather. In this way, this system can be used longer.

**There are 3 different rail systems.**

**Areas of Usage:**

**Narrow Rail:** Volkswagen sliding, Hebeschiebe sliding, Double Sliding, Double Sash Inside Opening Door, Double Sash Sliding

**Wide Rail:** Basic sliding, basic double sliding, Double Sash Sliding

**Double Rail:** Double sash inside opening door

Standard Colors:

Ral 9016 - 9010 - 9001 and 7016

*Other Ral colors are available at an additional cost.*

## TUBA DELUXE SLIDING (WIDE RAIL)

Max. Size Width: 3.600mm Length: 2.500mm



# SLIDING INSECT SCREENS

## TUBA DELUXE SLIDING (DOUBLE RAIL)

Max. Size Width: 3.600mm Length: 2.500mm



Volkswagen sliding, Hebeschiebe sliding  
Double Sliding  
Double Sash Inside Opening Door  
Double Sash Sliding



Basic sliding  
Basic double sliding,  
Double Sash Sliding



Double sash inside  
opening door

\*Need to additional frame for  
balcony glazing.

Standard Colors:

Ral 9016 - 9010 - 9001 and 7016

*Other Ral colors are available at an additional cost.*

# OPTIONAL INSECT SCREENS

## TRANSPARENT MESH



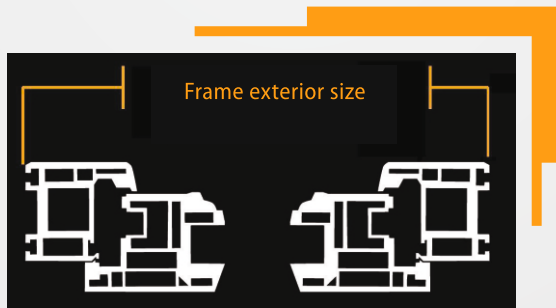
## NORMAL MESH



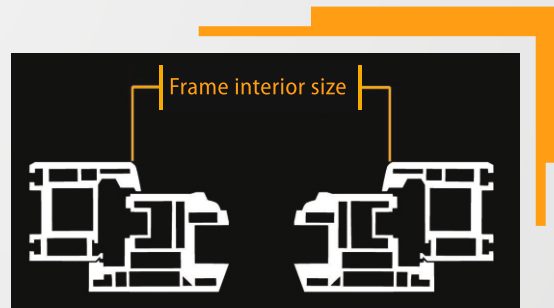
## PETSCREEN MESH



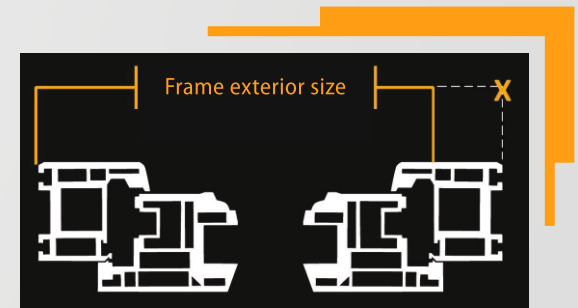
# TAKE MEASUREMENTS



**EXTERNAL MEASUREMENT SYSTEMS**  
Tuba Deluxe Sliding  
Plisse 28 (Single, Reversible, Double)  
Plisse 17 (Single, Reversible, Double)  
Ege 40 roller (Vertical, Double Horizontal)

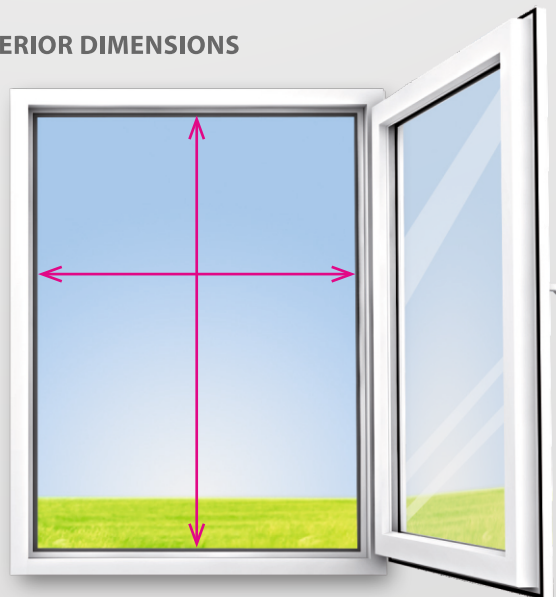


**INTERNAL MEASUREMENT SYSTEMS**  
Inboard fixed deluxe  
Inboard Plisse 17  
Inboard Ida 40 roller  
Ida 40 roller (Frameless)

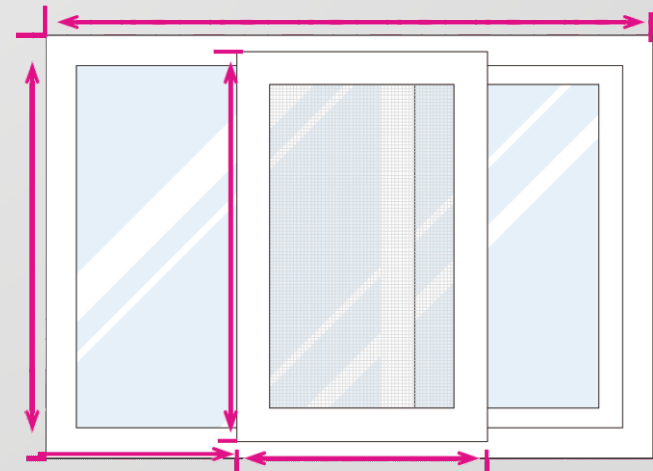


**EXTERNAL MEASUREMENT SYSTEMS**  
Ege 40 roller horizontal

## THE INTERIOR DIMENSIONS

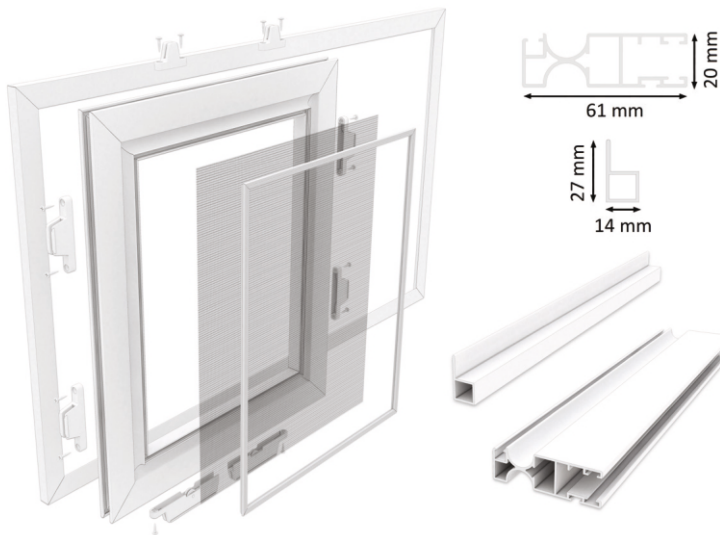


## TAKE MEASUREMENT OF SLIDING SYSTEM

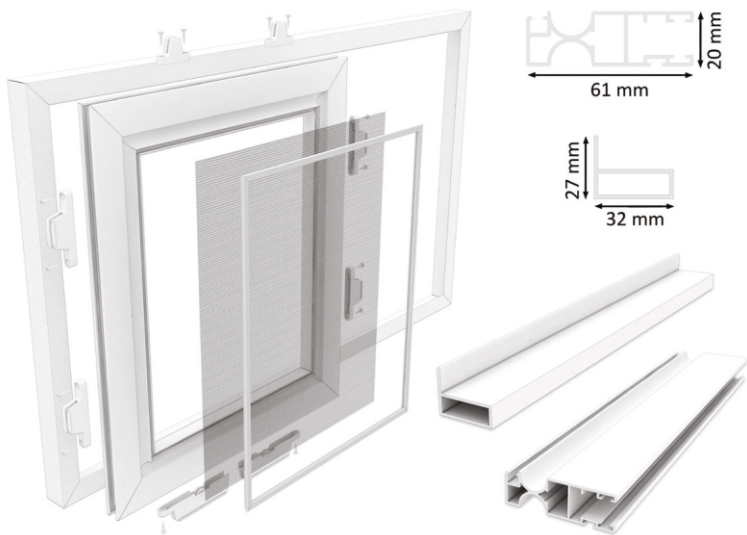


# TECHNICAL DRAWINGS

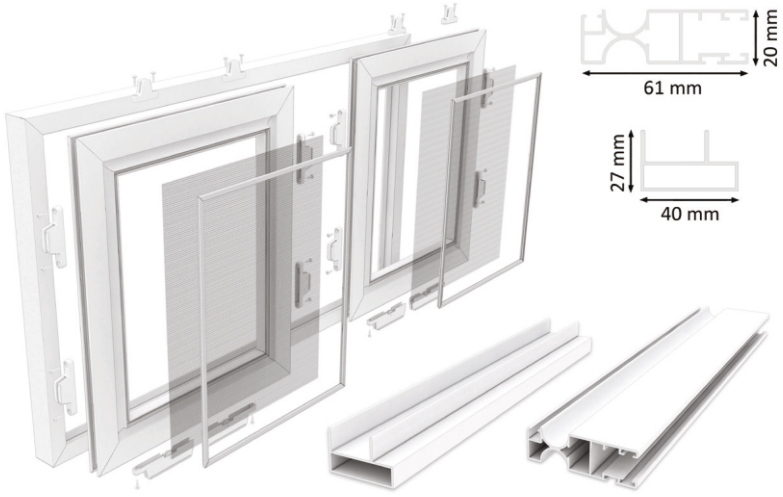
**TUBA DELUXE SLIDING  
SINGLE SASH - NARROW RAIL**



**TUBA DELUXE SLIDING  
SINGLE SASH - WIDE RAIL**



**TUBA DELUXE SLIDING  
DOUBLE SASH - DOUBLE RAIL**



**TECHNICAL DRAWINGS**

# CERTIFICATES

**T.C. TÜRK PATENT ENSTİTÜSÜ**  
**MARKA YENİLEME BELGESİ**  
Marka No : 20063661 - FİREKAT - HİZMET

**sinax**

Marka Sahibi : YATAY KAPLI PENCERE VE SİNERJİLERİ İHTİMALİ ENKALAT VE DİREKTİF İNCELEME SİRKETİ  
TÜRKİYE CUMHURİYETİ  
Nispetiye Organize Sanayi Bölgesi Dr. Nispetiye Sokak No: 5-1 D Blok  
Kartal / Beşiktaş / İSTANBUL / TR

İzmir Marka No. 04/01-09/2016 ile tescim edilmiştir.  
556 Sayılı Markaların Korunması Hakkında Kanun Hükmünde Kararname ile 04. Maddede görüldüğü üzere 09/08/2016 tarihinden itibaren 0X VII sınıfıyla tescim edilmiştir.

Prof. Dr. Haluk AKAN  
Enstitü Başkanı

**PHIFER INCORPORATED**

July 6, 2012

To Whom It May Concern:

We hereby certify that Phifer's ElinetScreen, fiberglass insect screening, used in roller screen systems in Europe, complies with European REACH and RoHS standards per the attached letter from our Corporate Attorney.

Furthermore, we certify that all roller insect screens distributed by SINAX, Turkey, that contain Phifer's ElinetScreen meet these specifications which ensure no carcinogenic substances are present in the screen fabric in these systems.

Sincerely yours,  
*Charles E. Morgan*  
Charles E. Morgan  
Vice President  
International Sales

2012-01-01

**PHIFER INCORPORATED**

May 9, 2012

To Whom It May Concern:

Phifer Incorporated hereby certifies that none of its products or the products of its subsidiaries contain in excess of 0.1% w/w of any of the "Substances of Very High Concern" as defined in the REACH Guidelines.

Phifer Incorporated further certifies that all of its products and the products of its subsidiaries meet the requirements of European Directive RoHS 2002/95/EC and 2002/11/EC and do not contain or exceed allowable quantities of lead, mercury, cadmium, hexavalent chromium, polybrominated biphenyls, polybrominated diphenyl ether, (except in its solids, tributyl tin, tributyl tin, polybrominated biphenyls, polybrominated diphenyl ether, short chain chlorinated paraffins, asbestos, nano vitamins, ozone depleting substances or radioactive substances).

Sincerely yours,  
*Charles E. Morgan*  
Charles E. Morgan  
St. East, V.P. & General Counsel

State of Alabama }  
Tuscaloosa County }

Subscribed and sworn to before me this 9<sup>th</sup> day of May 2012

*Belkacem H. Boune*  
Notary Public  
My commission expires: 5/31/15

(Corporate Seal)

**CERTIFICATE**

This is to certify that

**Phifer Incorporated**  
4800 Rockledge Ave.  
Tomball, AL 36687  
United States of America

has implemented and maintains a **Quality Management System**.

Scope:  
The design, development, and manufacturing of the following products: the forming and coating of metal and wood doors to be used in roller screens, the assembly and packing of these screens into sets of products, the coating of floor coverings into certified fabrics, and the weaving and finishing of floor yarns and coated strands into web products. Distribution of screening products.

Through an audit, documented in a report, it was verified that the management system fulfills the requirements of the following standard:

**ISO 9001 : 2015**

Certificate registration no.: 1000401 QM15  
Date of original certification: 1999-01-14  
Date of certification: 2010-01-20  
Valid until: 2021-01-22

DQS Inc.  
*David M. Kistner*  
Notary/Inspector

Accredited Body: DQS Inc., 1730 West Lake Road, Suite 300, Tulsa, OK, 74104, USA

**SEIKI SCREEN SYSTEMS**

Made in JAPAN

· Unrestricted entry · Not obstructive for the cleaning  
· Good wheelchair access

**SEIKI SCREEN SYSTEMS**

**Sertifika**

ISO 9001:2015

**ERDOĞANLAR ALÜMİNYUM SANAYİ VE TİCARET A.Ş.**  
Atatürk Mah. Orhan Veli Cad. No: 34613 Kızılcık - Esenyurt İSTANBUL - Türkiye

Standard: **ISO 9001:2015**  
Certificate Register No.: 01 100 020218

Scope:  
Production, sales and marketing of extruded aluminum profiles with or without thermal barrier, anodized or machined, anodized, electroplated powder painted, PVC coated, heat transfer printed, design, production and sales of internal and external architectural systems made of aluminum including system solutions specific to customer.

Proof has been furnished by means of an audit that the requirements of ISO 9001:2015 are met.

Validity:  
The certificate is valid from 2018-04-24 until 2021-04-23.  
First certification 2003

2018-01-16

**TÜVRheinland**  
Precision Right.

**Certificate**

Standard: **ISO 9001:2015**  
Certificate Register No.: 01 100 020218

Certificate Holder:  
**KURTOĞLU**  
ELECTRONIC POWDER PAINTING

Scope:  
Production, sales and marketing of extruded aluminum profiles with or without thermal barrier, anodized or machined, anodized, electroplated powder painted, PVC coated, heat transfer printed, design, production and sales of internal and external architectural systems made of aluminum including system solutions specific to customer.

Proof has been furnished by means of an audit that the requirements of ISO 9001:2015 are met.

Validity:  
The certificate is valid from 2018-04-24 until 2021-04-23.  
First certification 2003

2018-01-16

**TÜVRheinland**  
Precision Right.

**CERTIFICATE**

This is to certify that

**Okyanus Alüminyum San. Tic. A.Ş.**  
Nispetiye Organize Sanayi Bölgesi Man. 224 Sok. No:41  
Kartal - İstanbul / Türkiye

has implemented and maintains a **Quality Management System**.

Scope:  
Production and Sales of Aluminum Profile, Electrostatic Powder Painting and Anodic Oxidation Coated Profile.

Through an audit, documented in a report, it was verified that the management system fulfills the requirements of the following standard:

**ISO 9001 : 2015**

Certificate registration no.: 3130070 QM15  
Valid from: 2018-01-20  
Valid until: 2022-01-20  
Date of certification: 2018-01-20

DQS GmbH  
*Shahin H. Gök*  
Managing Director

**SERTİFİKA**  
**CERTIFICATE**

**KALİTE YÖNETİMİ / QUALITY MANAGEMENT**  
**TİSAN MÜHENDİSLİK PLASTİKLERİ SAN. VE TİC. LTD. ŞTİ.**

Ekizliçe Mah. Yavuz Selim Cad. 86. Sok. No:4 Akmerkez Çekirgeci / İstanbul / Türkiye

**TERMOPLASTİK MALZEME TASARIMI, ÜRETİMİ VE SATIŞI**  
**PRODUCTION, DESIGN AND SALES OF THERMOPLASTIC MATERIALS**

**ISO 9001:2015**

15.09.2015  
11.09.2019  
13.Yıl  
10.08.2020  
100.000.000

**DQS GmbH**  
*Shahin H. Gök*  
Managing Director

**Certificate of Registration**

This is to certify that compliance of **Quality Management System** of

**STAR MAKINA YAY-VIDA SAN. İMALAT VE PAZARLAMA DİS TİCARET LIMITED SİRKETİ**  
VELİBABA MH. TUNCEL SK. NO.14 PENDİK - İSTANBUL

has been assessed and found to conform the requirements of

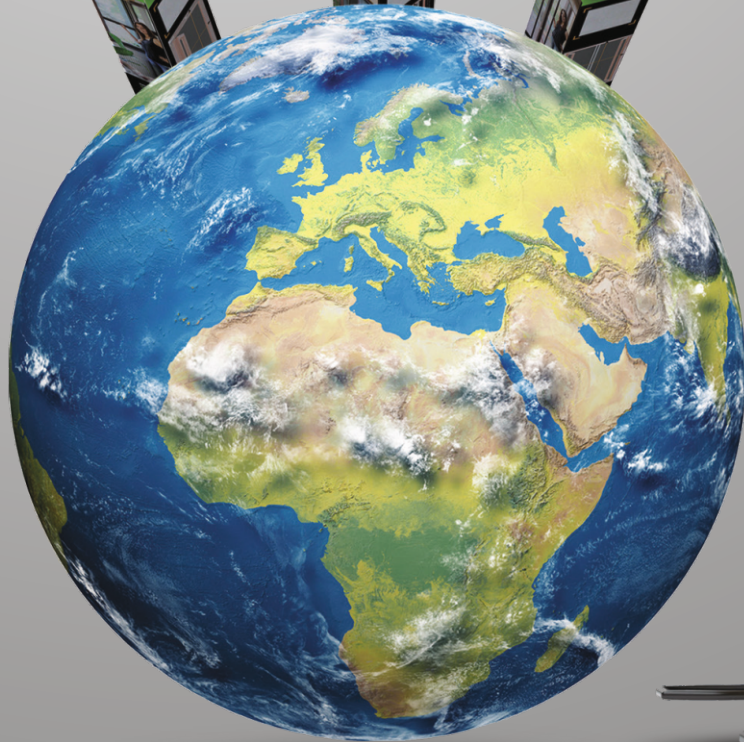
**ISO 9001 : 2015**  
for the scope of activities :  
**MANUFACTURE AND SALES OF SPRINGS AND SCREW**

Certificate No.: HCBULIA 1870 Issue Date: 11.09.2017  
JAS-ANZ Accreditation No.: HAK180370C Certificate Valid Until: 22.09.2019  
Surveillance Audit: 2nd Year

**JAS-ANZ**  
**IAF**

www.jas-anz.org/registrant





FLY SCREEN SYSTEMS  
**sinax**<sup>®</sup>  
Europe



## YATAY KAPI PENCERE VE SİNEKLİKLERİ İTHALAT İMALAT İÇ VE DIŞ TİC.LTD.ŞTİ.

**Adres:** İkitelli Organize Sanayi Bölgesi Dersanlık Sitesi S1 D Blok No:201  
34490 BAŞAKŞEHİR, İSTANBUL TURKEY  
T. +90 212 671 7380 f. +90 212 671 7381  
[www.sinax.com.tr](http://www.sinax.com.tr) / [sinax@sinax.com.tr](mailto:sinax@sinax.com.tr)  
[www.sineklikisistemleri.com.tr](http://www.sineklikisistemleri.com.tr)

    / SinaxSineklik

## Sinax Europe BV

**Address:** Molenstraat 14A 4033 AV Lienden / Netherlands  
T. +31 (0) 88 008 17 00 - [info@sinaxeurope.com](mailto:info@sinaxeurope.com)  
[www.sinaxeurope.com](http://www.sinaxeurope.com)