

FLY SCREEN SYSTEMS
sinax®
Europe



**OTHER
MESHES**



**HIGH QUALITY
Fly Screen Systems
2020**



**OTHER
PROFILES**



S SYSTEM SOLUTIONS

EGE 40 VERTICAL ROLLER

Max. Size Width: 1.500mm Length: 1.700mm



EGE 40 HORIZONTAL ROLLER

Max. Size Width: 1.200mm Length: 2.500mm



EGE 40 ROLLER

EGE 40 Roller Insect Screen System consists of aluminum profiles. The mesh is originated from United States, the brake system is originated from Italy, the spring system and plastic raw materials are originated from Germany.

Fiberglass mesh are decontaminated from carcinogenic materials due to high quality raw material preferences. (European Directive RoHS 2002/95/EC and 2003/11/EC)

The locking mechanism of insect screen system is made by snapping the two aluminum profiles together. While the locking mechanisms made by plastic do not last long, aluminum does not have a breaking point. Since the roller insect screens in the market don't have any brake systems, when the screen is opened, it hits the upper profile very quickly causing both damage and noise.

All EGE 40 insect screens have brake systems which provides silent and damage free operating conditions while preventing the spring system to get damaged. Installation and assembly operations are pretty simple. Assemble by joining the 4 aluminum profile parts together without any screws. Installation is done by fixing the product from 4 plastic corners with screws onto the window frame.

Standard Colors:

Ral 9016 - 9010 - 9001 and 7016

Other Ral colors are available at an additional cost.



ROLLER INSECT SCREENS

EGE40 roller insect screen system can be used on any hinged windows and doors. Vertical blinds should be preferred in windows while horizontal and double horizontal blinds should be preferred in doors. With wide range of colors compatible with aluminum, pvc and wooden door and window frames, our products will ensure its unity.

IDA 40 VERTICAL ROLLER (FRAMELESS)

IDA 40 Vertical Roller Insect Screen System consists of aluminum profiles. The mesh is originated from United States, the brake system is originated from Italy, the spring system and plastic raw materials are originated from Germany. **Fiberglass mesh are decontaminated from carcinogenic materials due to high quality raw material preferences. (European Directive RoHS 2002/95/EC and 2003/11/EC)**

Locking mechanism is operated by hidden plastic locks inside the side rails. This system also has brake system. Installation and assembly operations are pretty simple. Assemble by joining the 3 aluminum profile parts together without any screws. Installation is done by fixing the product from 4 plastic corners with screws onto the window frame. IDA 40 roller insect screen system can be used on any hinged windows. This system cannot be used on doors. With wide range of colors compatible with aluminum, pvc and wooden door and window frames, our products will ensure its unity.

Standard Colors:

Ral 9016 - 9010 - 9001 and 7016

Other Ral colors are available at an additional cost.

EGE 40 DOUBLE HORIZONTAL ROLLER

Max. Size Width: 2.400mm Length: 2.500mm

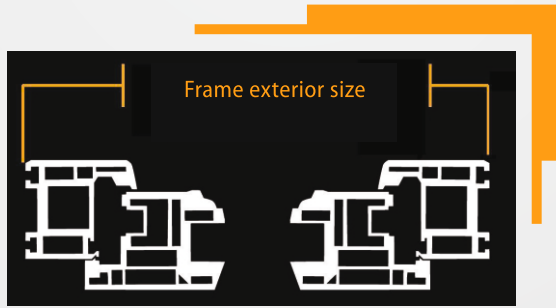


IDA 40 ROLLER (FRAMELESS) (FOR OUTWARD AND INWARD OPENING WINDOWS)

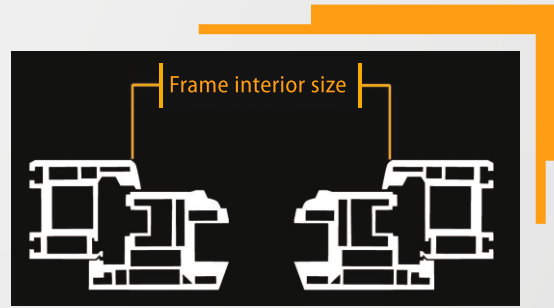
Max. Size Width: 1.500mm Length: 1.700mm



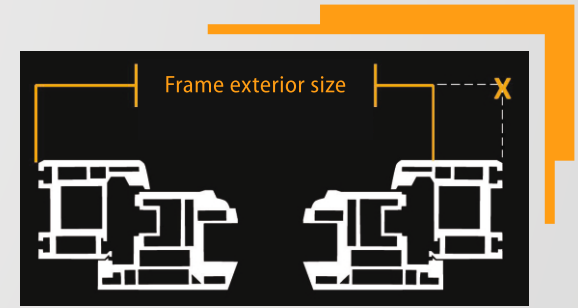
TAKE MEASUREMENTS



EXTERNAL MEASUREMENT SYSTEMS
Tuba Deluxe Sliding
Plisse 28 (Single, Reversible, Double)
Plisse 17 (Single, Reversible, Double)
Ege 40 roller (Vertical, Double Horizontal)

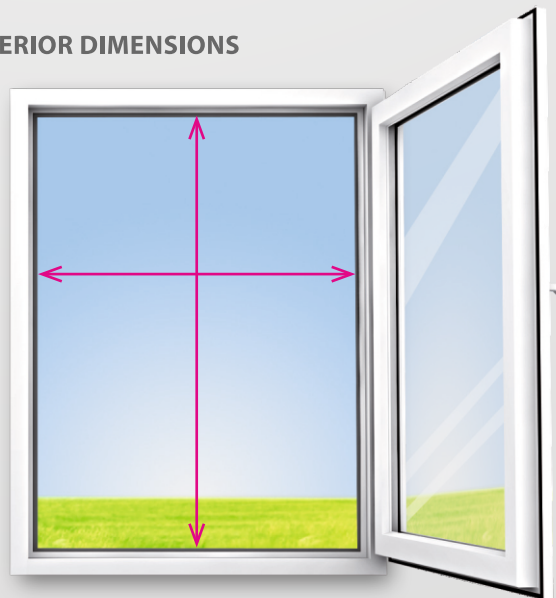


INTERNAL MEASUREMENT SYSTEMS
Inboard fixed deluxe
Inboard Plisse 17
Inboard Ida 40 roller
Ida 40 roller (Frameless)

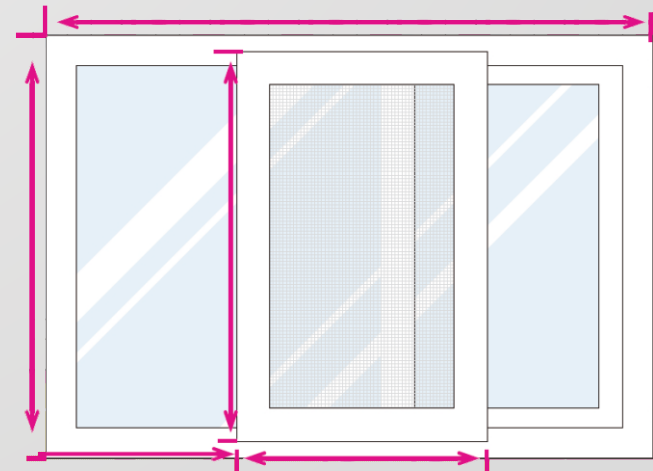


EXTERNAL MEASUREMENT SYSTEMS
Ege 40 roller horizontal

THE INTERIOR DIMENSIONS

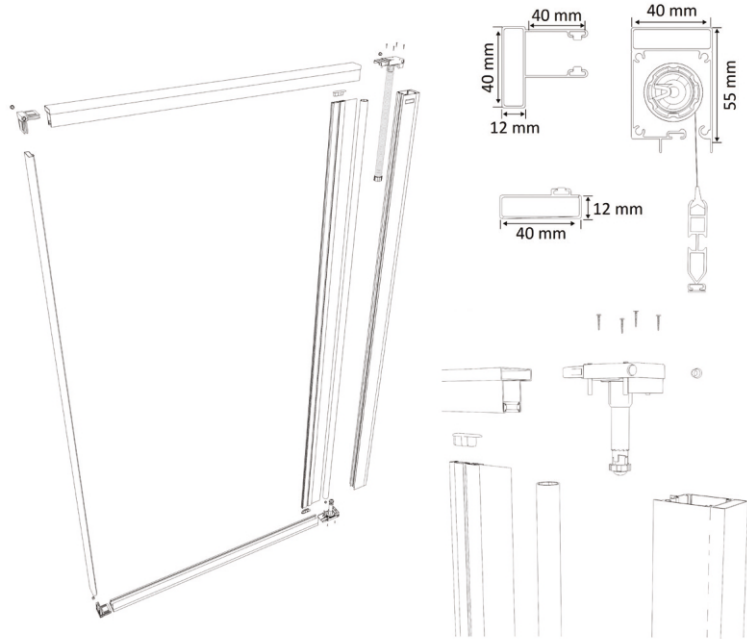


TAKE MEASUREMENT OF SLIDING SYSTEM

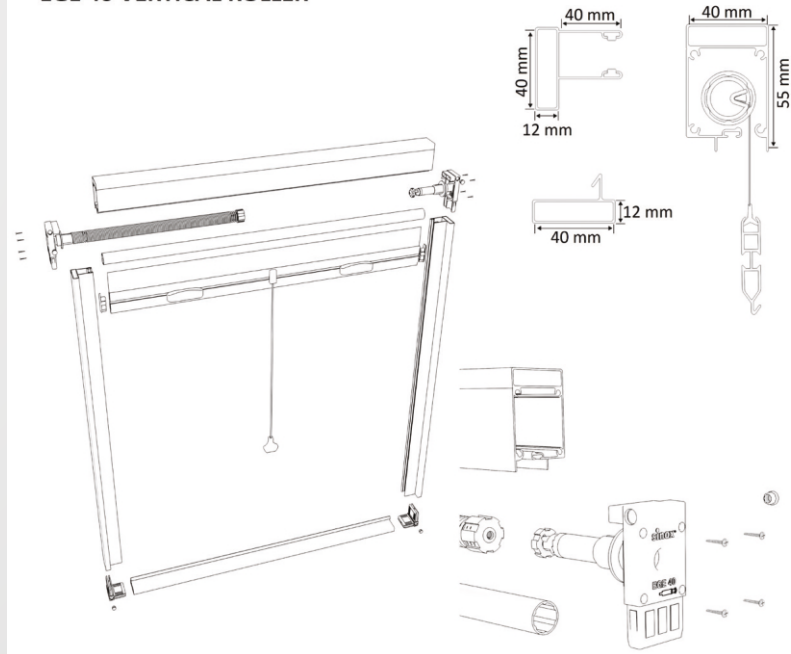


TECHNICAL DRAWINGS

EGE 40 HORIZONTAL ROLLER

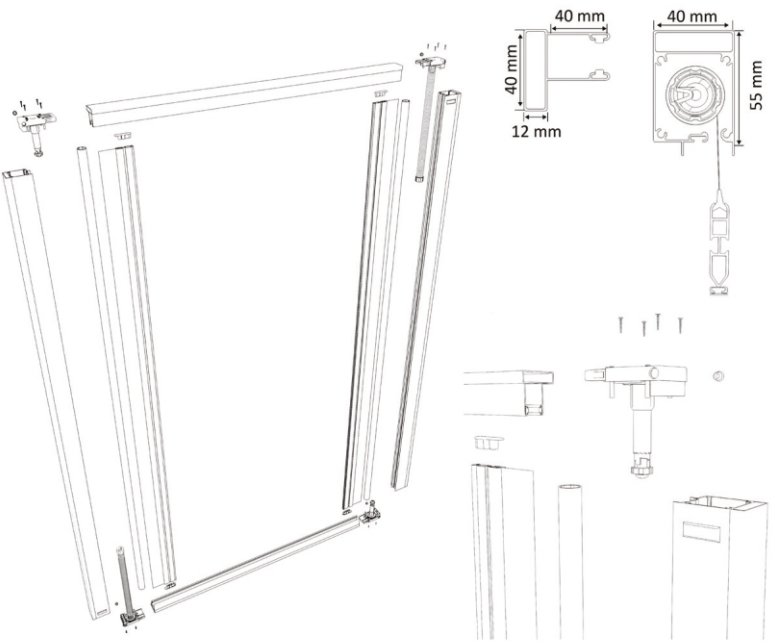


EGE 40 VERTICAL ROLLER

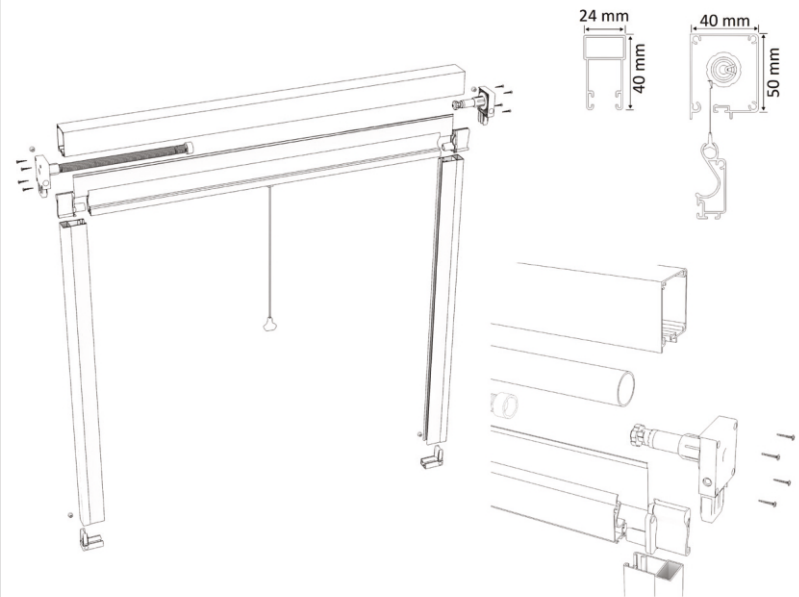


TECHNICAL DRAWINGS

EGE 40 DOUBLE HORIZONTAL ROLLER



IDA 40 VERTICAL ROLLER (FRAMELESS)



CERTIFICATES

T.C. TÜRK PATENT ENSTİTÜSÜ
MARKA YENİLEME BELGESİ
Marka No : 20063661 - FİREKOR - HİZMET

sinax

Marka Sahibi : YATAK KAPLI PENCERE VE SİNERJİLERİ İHTİHALAT İMALAT VE DİŞ TİCARET LİMİTED ŞİRKETİ
TÜRKİYE CUMHURİYETİ
Nispetiye Organize Sanayi Bölgesi Dr.Emrahpaşa Sıralı S-1 D Blok
No:281 Beşiktaş / İSTANBUL
Tic. Sic. No: 07, 09, 11, 16, 20, 21, 35
Bilgi Kodu:

İki No Marka ile ilgili 09/06/2016 No.lu tahlilinde sonuç edilmiş olup, 556 Sayılı Markaların Korunması Hakkında Kanun Hükmünde Kararname ile 08. Maddede görüldüğü üzere 09/06/2016 tarihinden itibaren ON YIL süreyle yenilenebilir.

Prof. Dr. Haluk AKAN
Enstitü Başkanı

PHIFER INCORPORATED

July 6, 2012

To Whom It May Concern:

We hereby certify that Phifer's ElinetScreen, fiberglass insect screening, used in roller screen systems in Europe, complies with European REACH and RoHS standards per the attached letter from our Corporate Attorney.

Furthermore, we certify that all roller insect screens distributed by SINAX, Turkey, that contain Phifer's ElinetScreen meet these specifications which ensure no carcinogenic substances are present in the screen fabric in these systems.

Sincerely yours,
Charles E. Morgan
Charles E. Morgan
Vice President
International Sales

2012-01

PHIFER INCORPORATED

May 9, 2012

To Whom It May Concern:

Phifer Incorporated hereby certifies that none of its products or the products of its subsidiaries contain in excess of 0.1% w/w of any of the "Substances of Very High Concern" as defined in the REACH Guidelines.

Phifer Incorporated further certifies that all of its products and the products of its subsidiaries meet the requirements of European Directive RoHS 2002/95/EC and 2002/11/EC and do not contain or exceed allowable quantities of lead, mercury, cadmium, hexavalent chromium, polybrominated biphenyls, polybrominated diphenyl ether, (total) tin oxide, tributyl tin, tributyl tin, polybrominated biphenyls, polybrominated diphenyl ether, short chain chlorinated paraffins, asbestos, nano vitamins, ozone depleting substances or radioactive substances.

Sincerely yours,
PHIFER INCORPORATED
Charles E. Morgan
St. East, V.P. & General Counsel

State of Alabama }
Tuscaloosa County }

Subscribed and sworn to before me this 9th day of May 2012

Belkacem H. Boune
Notary Public
My commission expires: 5/31/15 (Corporate Seal)

CERTIFICATE

This is to certify that

Phifer Incorporated
4800 Rockledge Ave.
Tomball, AL 36687
United States of America

has implemented and maintains a **Quality Management System**.

Scope:
The design, development, and manufacturing of the following products: the forming and coating of metal and wood doors to be used in roller screens; the assembly and packing of these screens into sets of products; the coating of roller door parts into certified fabrics; and the weaving and finishing of roller doors and coated strands into web products. Distribution of screening products.

Through an audit, documented in a report, it was verified that the management system fulfills the requirements of the following standard:

ISO 9001 : 2015

Certificate registration no. 10300401 QM15
Date of original certification 1999-01-14
Date of certification 2010-01-20
Valid until 2021-01-22

DQS Inc.
David M. Kistner
Notary Public
My commission expires 01/31/2016

Accredited Body: DQS Inc. 1730 West Lake Road, Suite 300, Tulsa, OK, 74104-0004

SEIKI SCREEN SYSTEMS Made in JAPAN

· Unrestricted entry · Not obstructive for the cleaning
· Good wheelchair access

SEIKI SCREEN SYSTEMS

Sertifika

Standard **ISO 9001:2015**
Certificate Register No: 01 100 020218

Certificate Holder: **KURTOĞLU**
KURTOĞLU ALÜMİNYUM SANAYİ VE TİCARET A.Ş.
Atatürk Mah. Orhan Veli Cad. No: 34513 Kızılcık - Esenyurt İSTANBUL - Türkiye

Scope: Production, sales and marketing of extruded aluminum profiles with or without thermal barrier, anodized or machined, anodized, electroplated powder painted, PVC coated, heat transfer printed, design, production and sales of internal and external architectural systems made of aluminum including system solutions specific to customer.

Proof has been furnished by means of an audit that the requirements of ISO 9001:2015 are met.

Validity: The certificate is valid from 2018-04-24 until 2021-04-23. First certification 2003

2018-01-16

TÜVRheinland
Precision Right.

Certificate

Standard **ISO 9001:2015**
Certificate Register No: 01 100 020218

Certificate Holder: **KURTOĞLU**
KURTOĞLU ALÜMİNYUM SANAYİ VE TİCARET A.Ş.
Atatürk Mah. Orhan Veli Cad. No: 34513 Kızılcık - Esenyurt İSTANBUL - Türkiye

Scope: Production, sales and marketing of extruded aluminum profiles with or without thermal barrier, anodized or machined, anodized, electroplated powder painted, PVC coated, heat transfer printed, design, production and sales of internal and external architectural systems made of aluminum including system solutions specific to customer.

Proof has been furnished by means of an audit that the requirements of ISO 9001:2015 are met.

Validity: The certificate is valid from 2018-04-24 until 2021-04-23. First certification 2003

2018-01-16

TÜVRheinland
Precision Right.

CERTIFICATE

This is to certify that

Okyanus Alüminyum San. Tic. A.Ş.
Sakarya Bulvarı, OSM Mah. 23. Sokak No: 41
Mudanya - Tuzluca / TÜRKİYE

has implemented and maintains a **Quality Management System**.

Scope:
Production and Sales of Aluminum Profile, Electrostatic Powder Painting and Anodic Oxidation Coated Profile.

Through an audit, documented in a report, it was verified that the management system fulfills the requirements of the following standard:

ISO 9001 : 2015

Certificate registration no. 31300910 QM15
Valid from 2018-01-20
Valid until 2022-01-20
Date of certification 2018-01-20

DQS GmbH
Shahin H. Gök
Managing Director

SERTİFİKA
CERTIFICATE

KALİTE YÖNETİMİ / QUALITY MANAGEMENT
TİSAN MÜHENDİSLİK PLASTİKLERİ SAN. VE TİC. LTD. ŞTİ.

Ekizliçe Mah. Yavuz Selim Cad. 86. Sok. No:4 Alentepe / Çekirgeci / İstanbul / Türkiye

TERMOPLASTİK MALZEME TASARIMI, ÜRETİMİ VE SATIŞI
PRODUCTION, DESIGN AND SALES OF THERMOPLASTIC MATERIALS

ISO 9001:2015

15.09.2015
11.09.2019
13.Yıl
10.08.2020
100.000.000

DQS GmbH
Shahin H. Gök
Managing Director

Certificate of Registration

This is to certify that compliance of **Quality Management System** of **STAR MAKINA YAY-VIDA SAN. İMALAT VE PAZARLAMA DİŞ TİCARET LİMİTED SİRKETİ** VELİBABA MH. TUNCEL SK. NO.14 PENDİK -İSTANBUL

has been assessed and found to conform the requirements of **ISO 9001 : 2015** for the scope of activities : **MANUFACTURE AND SALES OF SPRINGS AND SCREW**

Certificate No: HCBULIA 1870 Issue Date: 11.09.2017
JAS-ANZ Accreditation No: 104632370C Certificate Valid Until: 22.09.2019
Surveillance Audit: 2nd Year

JAS-ANZ
IAF

www.jas-anz.org/register



FLY SCREEN SYSTEMS
sinax[®]
Europe



YATAY KAPI PENCERE VE SİNEKLİKLERİ İTHALAT İMALAT İÇ VE DIŞ TİC.LTD.ŞTİ.

Adres: İkitelli Organize Sanayi Bölgesi Dersanlık Sitesi S1 D Blok No:201
34490 BAŞAKŞEHİR, İSTANBUL TURKEY
T. +90 212 671 7380 f. +90 212 671 7381
www.sinax.com.tr / sinax@sinax.com.tr
www.sineklik sistemleri.com.tr

    / SinaxSineklik

Sinax Europe BV

Address: Molenstraat 14A 4033 AV Lienden / Netherlands
T. +31 (0) 88 008 17 00 - info@sinaxeurope.com
www.sinaxeurope.com