

FLY SCREEN SYSTEMS
sinax®
Europe



OTHER
MESHES



**HIGH QUALITY
Fly Screen Systems
2020**



OTHER
PROFILES



S SYSTEM SOLUTIONS

PLISSE INSECT SCREENS

PLISSE 28 SINGLE

LOW BOTTOM RAIL, ONE RAMPED

Max. Size Width: 1.500mm Length: 2.500mm



PLISSE 28 SINGLE

LOW BOTTOM RAIL, DOUBLE RAMPED

Max. Size Width: 1.500mm Length: 2.500mm

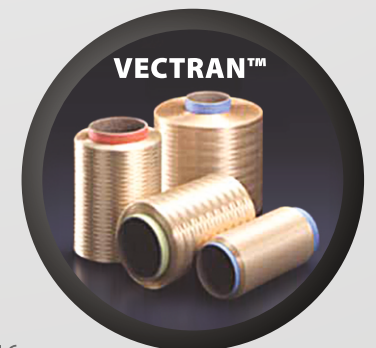


PLISSE 28

Plisse 28 Insect Screen System consists of aluminum profiles. It works in horizontal manner. Pleated mesh and guy ropes used in Plisse 28 is originated from Japan.

Pleated mesh is coated with PE (35% polyethylene) over the PP (65% polypropylene). Even though this pleated mesh is exposed to rain, it maintains the same durability and prevents the mesh to sag We recommend using Polyester mesh in countries where it reaches 40°C. Mesh colors can be black and gray. Number of pores: 20X20 pores/inch. Specially developed bearing system makes Plisse 28 work comfortably and freely.

Guy ropes are **VECTRAN™** (Japan) and it provides stability and stiffness to the mesh. Profiles are carefully designed with attentive calculations to be simple, sufficiently robust and majorly practical. There is 1 type of frame profile and 1 type of moving sash profile in the system. Additionally, they are options for 2 different bottom rail profiles.



Standard Colors:

Ral 9016 - 9010 - 9001 and 7016

Other Ral colors are available at an additional cost.

PLISSE INSECT SCREENS

Bottom Rail Profiles:

a) One side ramped anodised aluminum bottom rail profile:

In case there are doorsill or marble piece on the floor, bottom rail profiles with 20 mm height are used. The profile is perpendicular triangle fitted right into its place which makes walking on it easier. It is resistant for getting smashed and deformed.

b) Double side ramped anodised aluminum bottom rail profile:

In case there are doorsill or marble piece on the floor, bottom rail profiles with 10 mm height are used. The profile is perpendicular triangle to each side fitted right into its place which makes walking on it easier. It is resistant for getting smashed and deformed.

Plisse 28 can be used with all window frames (PVC, wooden, aluminum) easily. On regular doors and windows, horizontal plisse can be used. For wider doors and windows, reversible system can be used.

Standard Colors:

Ral 9016 - 9010 - 9001 and 7016

Other Ral colors are available at an additional cost.

PLISSE 28 REVERSIBLE

Max. Size Width: 3.000mm Length: 2.500mm

LOW BOTTOM RAIL, ONE RAMPED



PLISSE 28 REVERSIBLE

Max. Size Width: 3.000mm Length: 2.500mm

LOW BOTTOM RAIL, DOUBLE RAMPED



PLISSE INSECT SCREENS

PLISSE 28 DOUBLE

Max. Size Width: 3.000mm Length: 2.500mm



PLISSE 17

Max. Size Width: 1.500mm Length: 2.500mm



Standard Colors:

Ral 9016 - 9010 - 9001 and 7016

Other Ral colors are available at an additional cost.

PLISSE INSECT SCREENS

Plisse 17

Plisse 17 Insect Screen System consists of aluminum profiles. It works in horizontal manner.

This system has first class polyester mesh. Mesh colors are black and gray. Number of pores: 18X20 pores/inch.

Guy ropes are **VECTRAN™** (Japan) and it provides stability and stiffness to the mesh. It works freely with the special bearing system.

Plisse 17 can be used with all window frames (PVC, wooden, aluminum) easily. We recommend using Plisse 17 Screens especially windows with shutters, wrought iron fences and safety rail.

On regular doors and windows, horizontal plisse can be used while on wider doors and windows, plisse with reversible or double plisse system can be used.

Standard Colors:

Ral 9016 - 9010 - 9001 and 7016

Other Ral colors are available at an additional cost.

PLISSE 17 REVERSIBLE

Max. Size Width: 3.000mm Length: 2.500mm

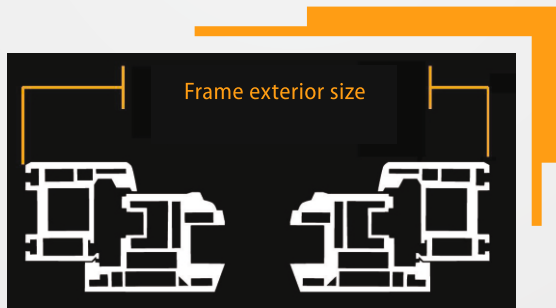


PLISSE 17 DOUBLE

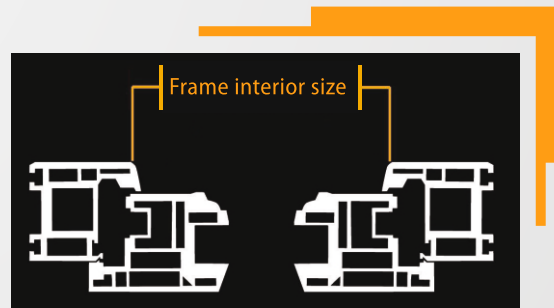
Max. Size Width: 3.000mm Length: 2.500mm



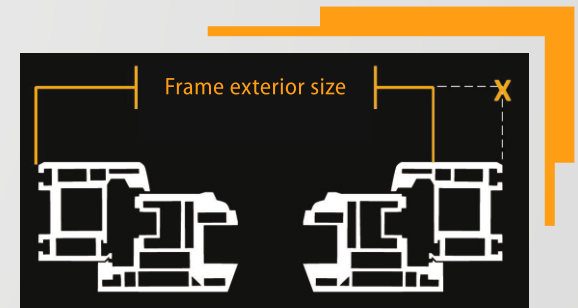
TAKE MEASUREMENTS



EXTERNAL MEASUREMENT SYSTEMS
Tuba Deluxe Sliding
Plisse 28 (Single, Reversible, Double)
Plisse 17 (Single, Reversible, Double)
Ege 40 roller (Vertical, Double Horizontal)

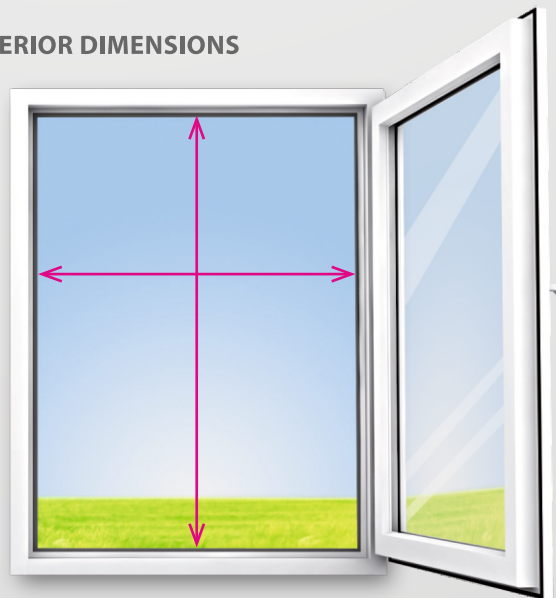


INTERNAL MEASUREMENT SYSTEMS
Inboard fixed deluxe
Inboard Plisse 17
Inboard Ida 40 roller
Ida 40 roller (Frameless)

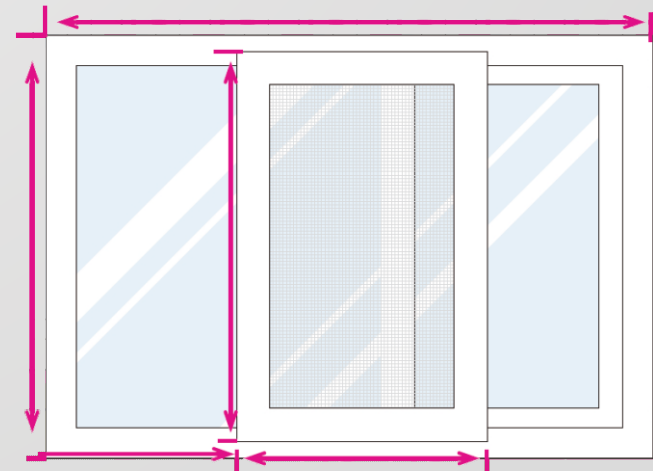


EXTERNAL MEASUREMENT SYSTEMS
Ege 40 roller horizontal

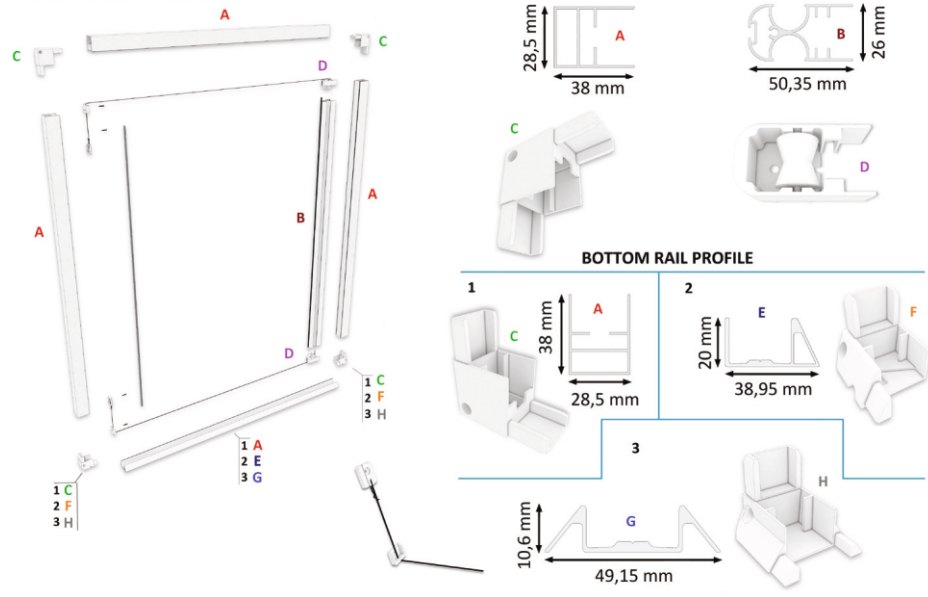
THE INTERIOR DIMENSIONS



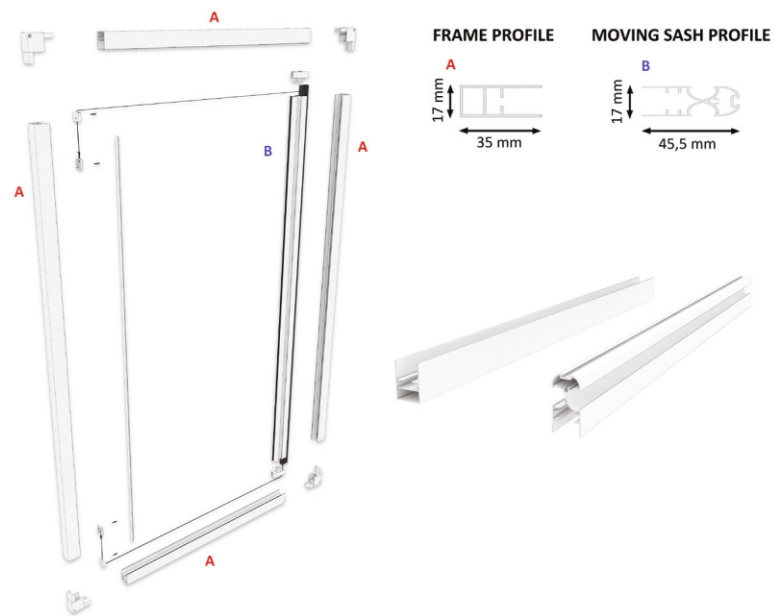
TAKE MEASUREMENT OF SLIDING SYSTEM



PLISSE 28 HORIZONTAL



PLISSE 17 HORIZONTAL



CERTIFICATES

T.C. TÜRK PATENT ENSTİTÜSÜ
MARKA YENİLEME BELGESİ
 Marka No : 20063661 - FİREKAT - HİZMET

sinax

Marka Sahibi : YATAY KAPLI PENCERE VE SİNERJİLERİ İHTİHALAT İMALAT VE DİŞ TİCARET LİMİTED ŞİRKETİ
 TÜRKiYE CUMHURİYETİ
 Nispetiye Organize Sanayi Bölgesi Dr. Nispetiye Sokak No: 5-1 D Blok
 Kat: 5/1 Beşiktaş / İSTANBUL
 No: 07, 09, 11, 15, 20, 21, 35
 Bloktafide.

İki No Marka ile ilgili 09/08/2016 No.lu tahlilinde sonuç edilmiş olup, 556 Sayılı Markaların Korunması Hakkında Kanun Hükmünde Kararname ile 08. Maddede görüldüğü üzere 09/08/2016 tarihinden itibaren ON YIL süreyle yenilenebilir.

Prof. Dr. Haluk AKAN
 Envanir Müdürü

PHIFER INCORPORATED

July 6, 2012

To Whom It May Concern:

We hereby certify that Phifer's ElinScreen, fiberglass insect screening, sold in roller screen systems in Europe, complies with European REACH and RoHS standards per the attached letter from our Corporate Attorney.

Furthermore, we certify that all roller insect screens distributed by SINAX, Turkey, that contain Phifer's ElinScreen meet these specifications which ensure no carcinogenic substances are present in the screen fabric in these systems.

Sincerely yours,
Charles E. Morgan
 Charles E. Morgan
 Vice President
 International Sales

2012-01

PHIFER INCORPORATED

May 9, 2012

To Whom It May Concern:

Phifer Incorporated hereby certifies that none of its products or the products of its subsidiaries contain in excess of 0.1% w/w of any of the "Substances of Very High Concern" as defined in the REACH Guidelines.

Phifer Incorporated further certifies that all of its products and the products of its subsidiaries meet the requirements of European Directive RoHS 2002/95/EC and 2002/11/EC and do not contain or exceed allowable quantities of lead, mercury, cadmium, hexavalent chromium, polybrominated biphenyls, polybrominated diphenyl ether, tin(IV) in oxide, tin(IV) in, tin(IV) in, polybrominated biphenyls, polybrominated diphenyl ether, short chain chlorinated paraffins, asbestos, iron sulfates, ozone depleting substances or radioactive substances.

Sincerely yours,
PHIFER INCORPORATED
 Charles E. Morgan
 St. East, V.P. & General Counsel

State of Alabama }
 Tuscaloosa County }

Subscribed and sworn to before me this 9th day of May 2012

Belkacem H. Boune
 Notary Public
 My commission expires: 5/31/15 (Corporate Seal)

CERTIFICATE

This is to certify that

Phifer Incorporated
 4800 Rockledge Ave.
 Huntsville, AL 35891
 United States of America

has implemented and maintains a **Quality Management System**.

Scope:
 The design, development, and manufacturing of the following products: the forming and coating of metal and wood doors to be used in roller screens; the assembly and packing of these screens into sets of products; the coating of roller door parts into certified fabrics; and the weaving and finishing of roller doors and coated strands into web products. Distribution of screening products.

Through an audit, documented in a report, it was verified that the management system fulfills the requirements of the following standard:

ISO 9001 : 2015

Certificate registration no.: 1000401 QM15
 Date of original certification: 1999-01-14
 Date of certification: 2015-01-23
 Valid until: 2021-01-22

DQS Inc.
David M. Kistner
 Notary/Inspector

Accredited Body: DQS Inc., 1730 West Lake Road, Suite 300, Tulsa, OK, 74104, USA

SEIKI SCREEN SYSTEMS Made in JAPAN

· Unrestricted entry · Not obstructive for the cleaning
 · Good wheelchair access

SEIKI SCREEN SYSTEMS

Sertifika

Standard: **ISO 9001:2015**
 Certificate Register No.: 01 100 020218

Certificate Holder:
KURTOĞLU
 KURTOĞLU BAKIR KURBAN SANAYİ A.Ş.
 KURBAN - İZMİR

Scope:
 Production, sales and marketing of extruded aluminum profiles with or without thermal barrier, anodized machined, anodized, electroplated powder painted, PVC coated, heat transfer printed, design, production and sales of internal and external architectural systems made of aluminum including system solutions specific to customer.

Proof has been furnished by means of an audit that the requirements of ISO 9001:2015 are met.

Validity:
 The certificate is valid from 2018-04-24 until 2021-04-23.
 First certification 2003

2018-01-16

DQS GmbH
Shahin H. Gök
 Managing Director

Certificate

Standard: **ISO 9001:2015**
 Certificate Register No.: 01 100 020218

Certificate Holder:
KURTOĞLU
 KURTOĞLU BAKIR KURBAN SANAYİ A.Ş.
 KURBAN - İZMİR

Scope:
 Production, sales and marketing of extruded aluminum profiles with or without thermal barrier, anodized machined, anodized, electroplated powder painted, PVC coated, heat transfer printed, design, production and sales of internal and external architectural systems made of aluminum including system solutions specific to customer.

Proof has been furnished by means of an audit that the requirements of ISO 9001:2015 are met.

Validity:
 The certificate is valid from 2018-04-24 until 2021-04-23.
 First certification 2003

2018-01-16

DQS GmbH
Shahin H. Gök
 Managing Director

CERTIFICATE

This is to certify that

Okyanus Alüminyum San. Tic. A.Ş.
 Sakarya Bulvarı, 0310 Mah. 23. Sokak No: 4/1
 Karşıyaka - İZMİR

has implemented and maintains a **Quality Management System**.

Scope:
 Production and Sales of Aluminum Profile, Electrostatic Powder Painting and Anodic Oxidation Coated Profile.

Through an audit, documented in a report, it was verified that the management system fulfills the requirements of the following standard:

ISO 9001 : 2015

Certificate registration no.: 3130070 QM15
 Valid from: 2018-01-20
 Valid until: 2022-01-20
 Date of certification: 2018-01-20

DQS GmbH
Shahin H. Gök
 Managing Director

SERTİFİKA
CERTIFICATE

KALİTE YÖNETİMİ / QUALITY MANAGEMENT
TİSAN MÜHENDİSLİK PLASTİKLERİ SAN. VE TİC. LTD. ŞTİ.

Scope:
 Ekimözü Mah. Yavuz Selim Cad. 86. Sok. No:4 Akmerkez Çekirgeci / İstanbul / Türkiye

TERMOPLASTİK MALZEME TASARIMI, ÜRETİMİ VE SATIŞI
PRODUCTION, DESIGN AND SALES OF THERMOPLASTIC MATERIALS

Through an audit, documented in a report, it was verified that the management system fulfills the requirements of the following standard:

ISO 9001:2015

Certificate registration no.: 15-00018 QM15
 Valid from: 15-09-2015
 Valid until: 11-09-2019
 Date of certification: 13-09-2015
 Certificate expires: 10-09-2020
 Certificate number: 15011008-001

DQS GmbH
Shahin H. Gök
 Managing Director

Certificate of Registration

This is to certify that compliance of **Quality Management System** of

STAR MAKINA YAY-VIDA SAN. İMALAT VE PAZARLAMA DİŞ TİCARET LİMİTED SİRKETİ
 VELİBABA MH. TUNCEL SK. NO.14 PENDİK -İSTANBUL

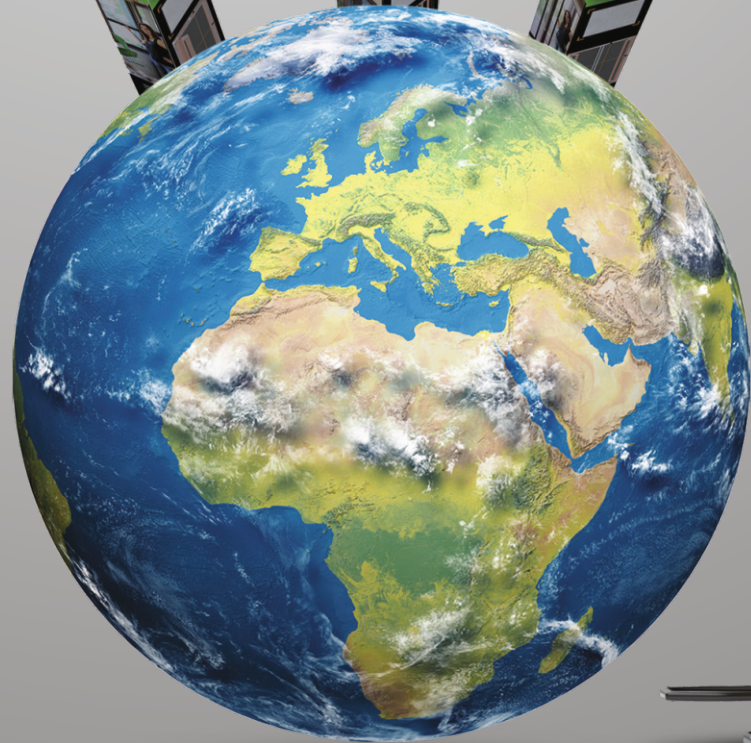
has been assessed and found to conform the requirements of

ISO 9001 : 2015
 for the scope of activities :
MANUFACTURE AND SALES OF SPRINGS AND SCREW

Certificate No.: HCBULU1870 Issue Date: 11.09.2017
 JAS-ANZ Accreditation No.: 18AK03230C Certificate Valid Until: 22.09.2019
 Surveillance Audit: 2nd Year

JAS-ANZ
IAF

www.jas-anz.org/register



FLY SCREEN SYSTEMS
sinax[®]
Europe



YATAY KAPI PENCERE VE SİNEKLİKLERİ İTHALAT İMALAT İÇ VE DIŞ TİC.LTD.ŞTİ.

Adres: İkitelli Organize Sanayi Bölgesi Dersanlık Sitesi S1 D Blok No:201
34490 BAŞAKŞEHİR, İSTANBUL TURKEY
T. +90 212 671 7380 f. +90 212 671 7381
www.sinax.com.tr / sinax@sinax.com.tr
www.sineklik sistemleri.com.tr

    / SinaxSineklik

Sinax Europe BV

Address: Molenstraat 14A 4033 AV Lienden / Netherlands
T. +31 (0) 88 008 17 00 - info@sinaxeurope.com
www.sinaxeurope.com